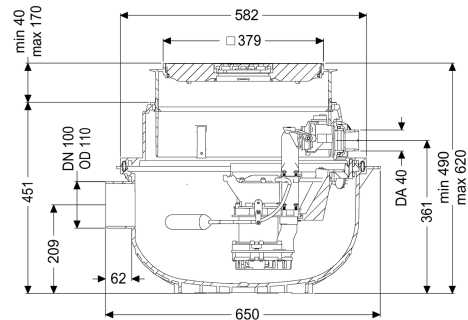


Aqualift S Compact lift stat. Mono, GTF 500, Floor slab



Article information

Item no.: 280500S
 GTIN: 4026092082584
 Price group: 20

Advantages

- Space-saving due to installation in floor slab with integrated drainage function
- Easy retrofitting from Mono to Duo possible
- Quiet operation, as the pump installation does not cause any structure-borne sound emissions.

Description

The ready to plug in lifting station for faecal-free wastewater is equipped with one or two submersible pumps and a backflow preventer. The collection tank made of permanently resistant polymer (PE) has an open pump tank. One-handed closures enable easy removal of the integrated components. The system for installation in the floor slab is preassembled for final installation on site.

Variant

| | |
|---------------------|--------------|
| Type of system: | Single unit |
| Pump control: | Float switch |
| Backflow preventer: | integrated |

General characteristics

| | |
|-------------------------|---|
| Colour: | black |
| Standard: | EN 12050-2 |
| Type of wastewater: | without sewage |
| Installation situation: | floor slab installation |
| Delivery state: | Installation-ready (connection parts must be connected on site) |
| System type: | Mono |

Dimensions

| | |
|-------------|----------|
| Net weight: | 25,61 kg |
|-------------|----------|

| | |
|--|-------------------------------------|
| Gross weight: | 27 kg |
| Groundwater resistant from lower edge of base section: | 3000 mm |
| Installation depth: | 490 - 620 mm |
| Type of height adjustability: | vertically adjustable upper section |
| Length: | 617 mm |
| Width: | 585 mm |
| Packaging dimension: | length |
| Packaging dimension: | width |
| Packaging dimension: | height |

| | |
|--------------------------------|--------|
| Tank/drain body | |
| Pressure pipe connection (DN): | 32 |
| Pressure pipe connection (OD): | 40 mm |
| Inlet nominal size (DN): | 100 mm |
| Pumping volume: | 16 l |

| | |
|-----------------------|--------------------------------|
| Coverage features | |
| Type of cover: | Cover plate with slotted cover |
| Cover material: | Polymer |
| Colour of cover: | black |
| Width of cover: | 366 mm |
| Length of cover: | 366 mm |
| Drainage function: | yes |
| Locking: | Lock & Lift |
| Load class: | K 3 (EN 1253-1) |
| Max. flooring height: | 16 mm |

| | |
|--|--------------------------------|
| Pumping device | |
| Pump: | GTF 500 |
| Number of pumps: | 1 |
| Connection type: | Schuko (earthed contact) 2-pin |
| Operating voltage: | 230 V |
| Protection class (pump): | IP 68 (3m) |
| Temperature monitoring: | integrated |
| Max. temperature (permanent) of conveyed material: | 40 °C |
| Hot water resistance for a short time (2 min): | 80 °C |
| Max. pumping capacity: | 10 m ³ /h |
| Max. pumping height: | 8 m |
| Speed: | 2800 U/min |
| Power P1: | 0,6 kW |
| Power P2: | 0,36 kW |
| Operating mode: | S1 |
| Type of pump connection cable: | H07RN-F 3G 1.5 mm ² |
| Impeller type: | Multi-vane impeller |
| Free passage: | 10 mm |
| Type of fuse required (electrical protection): | C 16 A |
| Length of mains cable for pump: | 5 m |
| Rated current: | 2,7 A |

Control

Level measurement instrument:

Type of level measurement:

Mains frequency:

Operating voltage:

Connection type:

Float switch

mechanical

50 Hz

230 V

Schuko (earthed contact) 2-pin