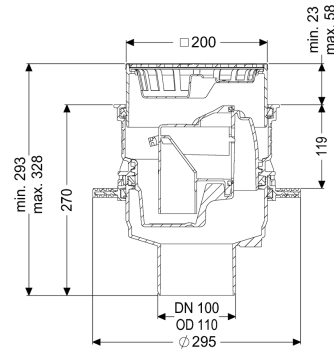


## Universal Plus basement drain ver., SST, Odour trap, Waterpr.concrete



### Article information

Item no.: 29141  
 GTIN: 4026092096901  
 Price group: 10

### Advantages

- Sustainable due to use of recycled material
- Inlets above the floor slab, no penetration required
- Vertical outlet for easy installation and easy access to the main drainage pipe

### Description

The polymer Universal Plus basement drain is used for drainage of non-faecal wastewater and is equipped with a removable odour closure and a sludge bucket. Including temporary protective cover. The drain is pressure-waterproof up to 0.6 bar (MFPA Leipzig tested) and radon-tight (IAF Radioökologie GmbH tested).

#### Variant

|  |                              |
|--|------------------------------|
| Contents of sludge trap:                   | yes                          |
| Waterproof flange:                         | Pre-assembled at the factory |
| Discharge rate (l/s) with 10 mm threshold: | 1,6                          |
| Discharge rate (l/s) with 20 mm threshold: | 2,3                          |

#### General characteristics

|                         |                         |
|-------------------------|-------------------------|
| Colour:                 | black                   |
| Standard:               | EN 1253                 |
| Nominal size (DN):      | 100                     |
| Type of wastewater:     | without sewage          |
| Installation situation: | floor slab installation |
| Odour trap:             | included                |

#### Dimensions

|             |         |
|-------------|---------|
| Net weight: | 3,63 kg |
|-------------|---------|

|                               |                                       |
|-------------------------------|---------------------------------------|
| Gross weight:                 | 4,04 kg                               |
| Diameter:                     | 295 mm                                |
| Cutout dimension, width:      | 310 mm                                |
| Cutout dimension, length:     | 310 mm                                |
| Adjustment range:             | 23 - 80                               |
| Installation depth:           | 285 - 340 mm                          |
| Type of height adjustability: | vertically adjustable upper section   |
| Height:                       | 270 mm                                |
| Packaging dimension:          | length                                |
| Packaging dimension:          | width                                 |
| Packaging dimension:          | height                                |
| Tank/drain body               |                                       |
| Outlet nominal size (OD):     | 110 mm                                |
| Outlet nominal size (DN):     | 100 mm                                |
| Socket version:               | vertical                              |
| Coverage features             |                                       |
| Type of cover:                | Slotted cover made of stainless steel |
| Cover material:               | Stainless steel 14301                 |
| Colour of cover:              | silver                                |
| Width of cover:               | 200 mm                                |
| Height of cover:              | 25 mm                                 |
| Length of cover:              | 200 mm                                |
| Load class:                   | K 3 (EN 1253-1)                       |
| Contents of sludge trap:      | yes                                   |