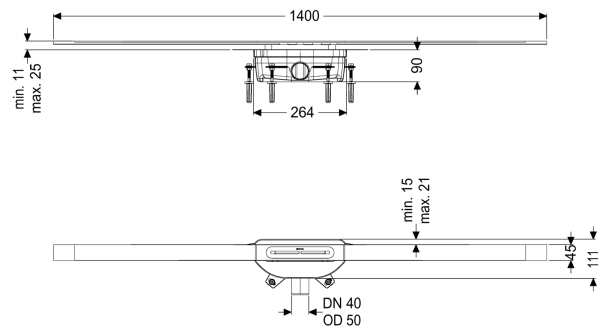


Shower chan. Linearis Infinity 90 L: 1400 mm, DN50, Brushed SST



Article information

Item no.: 45200.14
 GTIN: 4026092093887
 Price group: 10

Advantages

- Channel profile made of 316 stainless steel
- Including Sound and settlement absorbers
- No flooding of the waterproofing level in the event of water build-up

Description

The narrow Linearis Infinity channel for walk-in showers is suitable for indoor linear drainage for household and commercial use. The channel profile made of 316 stainless steel can be extended straight or at three (30, 45 and 90 degree) angles. The drain body made of PP is equipped with sound and settlement absorbers. These reduce operating noise and can compensate for subsidence in the floor structure. The channel contains a clip-on flange with a factory-mounted waterproofing membrane according to DIN EN 1253-1 and DIN 18534-1-W3-I. The channel profile can be pushed in the lengthwise and transverse direction in the clip-on flange to compensate for construction tolerances. Including an odour trap with a 50 mm water seal. Open seepage water openings, without flooding of the waterproofing level in the event of build-up.

Variant

| | |
|--|-------|
| Water exposure class in accordance to DIN 18534-1 (up to and including): | W3-I |
| Sealing water height: | 50 mm |
| Discharge rate (l/s) with 10 mm threshold: | 0,6 |
| Discharge rate (l/s) with 20 mm threshold: | 0,8 |

General characteristics

| | |
|--------------------|-----------------------|
| Nominal size (DN): | 50 |
| Odour trap: | with 50 mm water seal |

Dimensions

| | |
|------------------------|---------|
| Net weight: | 3,85 kg |
| Gross weight: | 3,85 kg |
| Min. design height: | 90 mm |
| Vertically adjustable: | yes |
| Length: | 264 mm |
| Width: | 111 mm |
| Packaging dimension: | length |
| Packaging dimension: | width |
| Packaging dimension: | height |

| | |
|---------------------------|---------|
| Tank/drain body | |
| Outlet nominal size (OD): | 50 mm |
| Outlet nominal size (DN): | 50 mm |
| Material of drain body: | PP |
| Socket version: | lateral |

| | |
|-------------------------|-----------------------|
| Coverage features | |
| Type of cover: | Stainless steel cover |
| Cover material: | 316 stainless steel |
| Width of cover: | 45 mm |
| Length of cover: | 1400 mm |
| Min. flooring height: | 11 mm |
| Surface: | Brushed SST |
| Locking: | placed |
| Load class: | K 3 (EN 1253-1) |
| Max. flooring height: | 25 mm |
| Shape of upper section: | square |