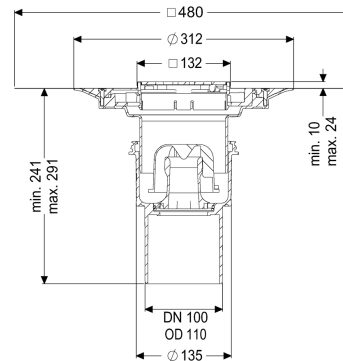
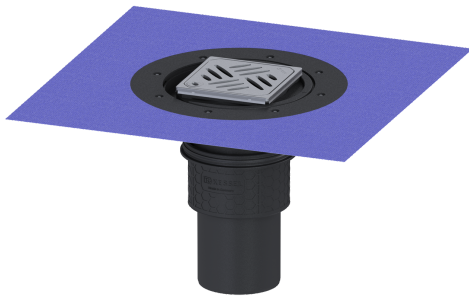


Practicus floor/roof drain DN 100, vert, Waterpr layer, Des grat



Article information

Item no.: 45210.53
 GTIN: 4026092033852
 Price group: 10

Advantages

- Hygiene: hygienic, absolutely corrosion-free and durable material
- Fire protection: combinable with the Fire-Kit for fire and smoke protection
- Sound insulation: outstanding sound insulation effect confirmed by the Fraunhofer Institute

Description

The Practicus floor drain is used for point drainage and is equipped with a connection flange as well as a removable odour trap, a lip seal and a temporary protective cover. Including telescopic height-adjustable upper section made of ABS. The drain meets particular sound insulation requirements in accordance with the measurements of the Fraunhofer Institute in Stuttgart. The outlet socket is suitable for connection to SML cast iron pipes. With connection option for equipotential bonding.

Variant	
System:	125
Waterproofing layer on the upper section:	Enclosed sealing collar to be glued (bd) according to DIN 18534
Waterproofing layer on the drain body:	Connection flange
Sealing water height:	50 mm
Discharge rate (l/s) with 20 mm threshold:	2,2
General characteristics	
Standard:	EN 1253-1
Nominal size (DN):	100
Outer diameter (OD):	110 mm
Approval:	Z-19.53-2414,Z-19.17-1719
Odour trap:	included

Dimensions

Vertical adjustment:	10 - 23 mm
Net weight:	2,57 kg
Gross weight:	3,33 kg
Type of height adjustability:	vertically adjustable upper section
Length:	135 mm
Width:	135 mm
Packaging dimension:	length
Packaging dimension:	width
Packaging dimension:	height

Tank/drain body

Number of outlets:	1
Connection inlet/outlet sockets:	The outlet spigot is suitable for connection to SML pipes.
Material of drain body:	PP
Socket version:	vertical

Coverage features

Type of cover:	Design cover
Cover material:	Stainless steel 14301
Colour of cover:	silver
Width of cover:	120 mm
Length of cover:	120 mm
Surface:	ground
Frame material:	Stainless steel 14301
Locking:	Lock & Lift
Load class:	L 15 (EN 1253-1)
Grating design:	Kessel
Slip resistance class:	R9 according to DIN 51130; C according to DIN 51097
Rim width:	132 mm
Rim length:	132 mm
Upper section:	adjustable in three dimensions
Shape of upper section:	square
Upper section material:	ABS