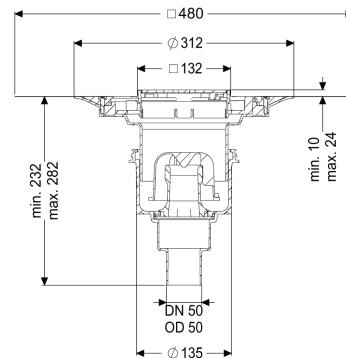
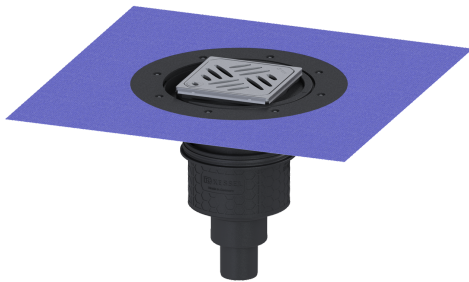


Practicus floor/roof drain DN 50, vert., Waterpr layer, Des grate



Article information

Item no.: 45250.53
 GTIN: 4026092033838
 Price group: 10

Advantages

- Hygiene: hygienic, absolutely corrosion-free and durable material
- Fire protection: combinable with the Fire-Kit for fire and smoke protection
- Sound insulation: outstanding sound insulation effect confirmed by the Fraunhofer Institute

Description

The Practicus floor drain is used for point drainage and is equipped with a connection flange as well as a removable odour trap, a lip seal and a temporary protective cover. Including telescopic height-adjustable upper section made of ABS. The drain meets particular sound insulation requirements in accordance with the measurements of the Fraunhofer Institute in Stuttgart. The outlet socket is suitable for connection to SML cast iron pipes. With connection option for equipotential bonding.

Variant

| | |
|--|---|
| System: | 125 |
| Waterproofing layer on the upper section: | Enclosed sealing collar to be glued (bd) according to DIN 18534 |
| Waterproofing layer on the drain body: | Connection flange |
| Sealing water height: | 50 mm |
| Discharge rate (l/s) with 20 mm threshold: | 2,2 |

General characteristics

| | |
|----------------------|---------------------------|
| Standard: | EN 1253-1 |
| Nominal size (DN): | 50 |
| Outer diameter (OD): | 50 mm |
| Approval: | Z-19.53-2414,Z-19.17-1719 |
| Odour trap: | included |

Dimensions

| | |
|-------------------------------|-------------------------------------|
| Vertical adjustment: | 10 - 23 mm |
| Net weight: | 2,41 kg |
| Gross weight: | 3,2 kg |
| Type of height adjustability: | vertically adjustable upper section |
| Length: | 135 mm |
| Width: | 135 mm |
| Packaging dimension: | length |
| Packaging dimension: | width |
| Packaging dimension: | height |

Tank/drain body

| | |
|-------------------------|----------|
| Number of outlets: | 1 |
| Material of drain body: | PP |
| Socket version: | vertical |

Coverage features

| | |
|-------------------------|---|
| Type of cover: | Design cover |
| Cover material: | Stainless steel 14301 |
| Colour of cover: | silver |
| Width of cover: | 120 mm |
| Length of cover: | 120 mm |
| Surface: | ground |
| Frame material: | Stainless steel 14301 |
| Locking: | Lock & Lift |
| Load class: | L 15 (EN 1253-1) |
| Grating design: | Kessel |
| Slip resistance class: | R9 according to DIN 51130; C according to DIN 51097 |
| Rim width: | 132 mm |
| Rim length: | 132 mm |
| Upper section: | adjustable in three dimensions |
| Shape of upper section: | square |
| Upper section material: | ABS |