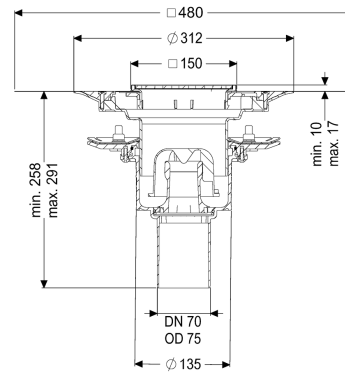
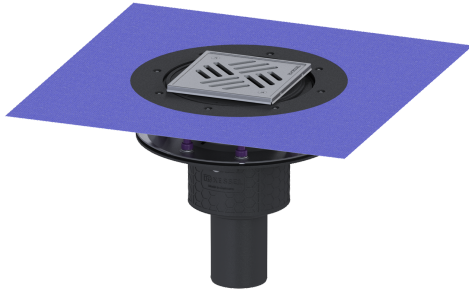


## Practicus floor drain press.seal. DN 70, vert., Variofix, Slotted grating



### Article information

Item no.: 45279.51  
 GTIN: 4026092033067  
 Price group: 10

### Advantages

- Hygiene: hygienic, absolutely corrosion-free and durable material
- Fire protection: combinable with the Fire-Kit for fire and smoke protection
- Sound insulation: outstanding sound insulation effect confirmed by the Fraunhofer Institute

### Description

The Practicus polymer floor drain is used for point drainage and is equipped with a pressure sealing flange as well as a removable odour trap, a lip seal and a temporary protective cover. Including telescopic height-adjustable upper section made of ABS. The drain meets particular sound insulation requirements in accordance with the measurements of the Fraunhofer Institute in Stuttgart. The pressure sealing flange with bolts and screws made of stainless steel is used for the clamping or welding of bitumen and polymer bitumen sheets as well as for polymer and elastomer sealing sheets. The outlet socket is suitable for connection to SML cast iron pipes. With connection option for equipotential bonding.

Variant	
System:	125
Waterproofing layer on the upper section:	Enclosed sealing collar to be glued (bd) according to DIN 18534
Waterproofing layer on the drain body:	Press sealing flange (suitable for creating watertight seals)
Sealing water height:	50 mm
Discharge rate (l/s) with 20 mm threshold:	2

### General characteristics

Standard:	EN 1253-1
Nominal size (DN):	70
Outer diameter (OD):	75 mm
Approval:	Z-19.53-2414,Z-19.17-1719
Odour trap:	included
Dimensions	
Vertical adjustment:	10 - 18 mm
Net weight:	2,89 kg
Gross weight:	3,88 kg
Type of height adjustability:	vertically adjustable upper section
Length:	273 mm
Width:	273 mm
Packaging dimension:	length
Packaging dimension:	width
Packaging dimension:	height
Tank/drain body	
Number of outlets:	1
Material of drain body:	PP
Socket version:	vertical
Coverage features	
Type of cover:	Slotted cover
Cover material:	Stainless steel 14301
Colour of cover:	silver
Width of cover:	138 mm
Length of cover:	138 mm
Surface:	Polished SST
Frame material:	Stainless steel 14301
Locking:	screwed
Load class:	K 3 (EN 1253-1)
Grating design:	Kessel
Rim width:	150 mm
Rim length:	150 mm
Upper section:	adjustable in three dimensions
Shape of upper section:	square
Upper section material:	ABS