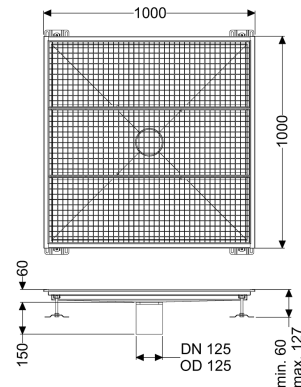
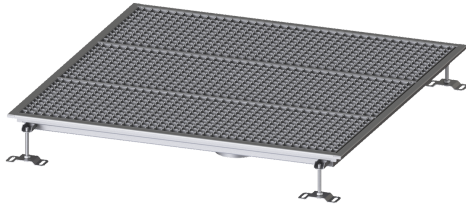


Floor Tray Ferrofix without glued flange, 1000x1000mm



Article information

Item no.: 6100100
 GTIN: 4026092066508
 Price group: 80

Advantages

- Made of particularly a hygienic and mechanically highly resistant stainless steel
- Variably combinable with suitable drain bodies

Description

The Floor tray Ferrofix made of stainless steel with a material thickness of 2.0 mm (pickled in the immersion bath) is equipped with polished visible ridges, longitudinal and transverse slopes, feet for height adjustment and stainless steel outlet nozzles.

Variant

Waterproofing layer on the upper section: Connection flange

General characteristics

Nominal size (DN): 125
 Outer diameter (OD): 125 mm

Dimensions

Net weight: 45 kg
 Gross weight: 45 kg
 Length: 1000 mm
 Width: 1000 mm
 Height: 60 mm
 Packaging dimension: length
 Packaging dimension: width
 Packaging dimension: height

Coverage features

Type of cover: Slotted cover
 Colour of cover: silver

Locking:	placed
Load class:	L 15 (EN 1253-1)
Slip resistance class:	R12 according to DIN 51130; C according to DIN 51097
Upper section material:	Stainless steel 14301