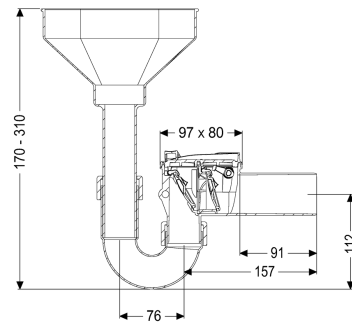


Backwater valve Staufix Siphon, DN 50, Inlet funnel, Type 5



Article information

Item no.: 73053
 GTIN: 4026092027622
 Price group: 10

Advantages

- Ideal for modernisation: can also be installed in existing pipes later
- Simple, toolless maintenance and cleaning
- Corrosion-free

Description

The backwater valve for wastewater without sewage is equipped with two mechanical flaps which close automatically in the event of backwater. One flap serves at the same time as an emergency closure to be closed by hand.

Variant

Emergency closure: yes
 Mechanical backwater flaps: 2

General characteristics

Colour: white
 Standard: EN 13564
 Nominal size (DN): 50
 Type of wastewater: without sewage
 Installation situation: installation as inlet funnel
 Delivery state: installation-ready
 Backwater protection: Type 5

Dimensions

Net weight: 0,54 kg
 Gross weight: 0,73 kg
 Length: 260 mm
 Width: 80 mm
 Height: 370 mm
 Packaging dimension: length

Packaging dimension:
Packaging dimension:

width
height

Coverage features
Cover locking:

One-handed closure