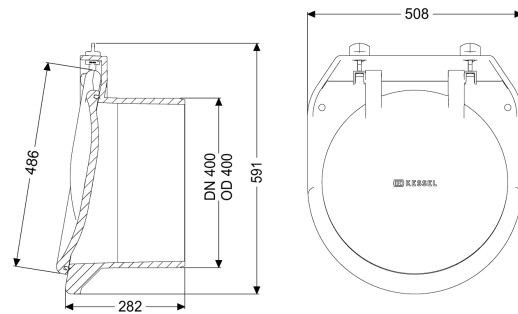


Pipe flap valve DN 400



Article information

Item no.: 79400
 GTIN: 4026092011669
 Price group: 10

Advantages

- For universal use in salt and fresh water environments
- Low weight for simple installation with high mechanical strength
- High tightness: seals airtight even with low counter-pressure

Description

The pipe flap valve serves as an end piece and has a mechanical flap which closes automatically.

Variant

Mechanical backwater flaps: 1

General characteristics

Colour:	black
Material:	Polymer
Nominal size (DN):	400
Outer diameter (OD):	405 mm
Type of wastewater:	without sewage
Installation situation:	exposed drainage pipe
Delivery state:	installation-ready

Dimensions

Net weight:	10,21 kg
Gross weight:	10,21 kg
Length:	295 mm
Width:	417 mm
Height:	420 mm
Packaging dimension:	length

Packaging dimension:

width

Packaging dimension:

height