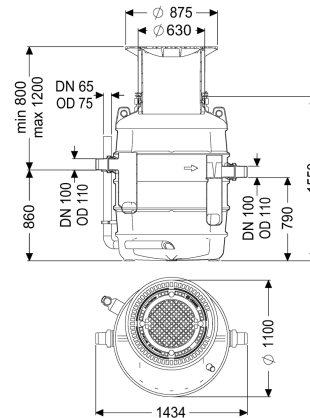


Grease separator EasyClean ground NS 2, Direct, 800-1200 mm, A/B, left



Article information

Item no.: 93002.120B-DL
 GTIN: 4026092095119
 Price group: 60

Advantages

- Low odour and clean disposal
- Defined disposal point
- Complete emptying of the separator

Description

The separator for greasy wastewater is suitable for installation in the ground and comes without metallic components in the tank. The collecting tank made of permanently resistant polymer (PE) is equipped with an integrated sludge trap and has a rounded base for fast and clean disposal. Access for cleaning and maintenance work is possible via one or several service access covers. A direct disposal pipe socket is available for odour-reduced manual disposal. A load distribution slab must be installed on site for load class D. The reinforcement drawings are available from KESSEL. 20 year polyethylene warranty.

Variant

| | |
|------------------------------------|--|
| Note on installation depth: | Installation in the ground, frost-free depth 1200 mm |
| Direction of flow: | left |
| Disposal variant: | Direct |
| Nominal size (NS): | 2,00 |
| Disposal system: | Disposal pipe |
| Type of disposal: | manual |
| Load-bearing capacity (DIN 19901): | E2 |

General characteristics

| | |
|-------------------------|---|
| Material: | PE |
| Installation situation: | underground installation |
| Delivery state: | Installation-ready (connection parts must be connected on site) |

Dimensions

| | |
|--|---------------|
| Net weight: | 120 kg |
| Gross weight: | 127 kg |
| Groundwater resistant from lower edge of base section: | 500 mm |
| Diameter: | 648 mm |
| Installation depth: | 800 - 1200 mm |
| Length: | 1380 mm |
| Width: | 1106 mm |
| Packaging dimension: | length |
| Packaging dimension: | width |
| Packaging dimension: | height |

Tank/drain body

| | |
|---|---|
| Distance pipe bottom outlet to tank bottom: | 790 mm |
| Distance pipe bottom inlet to tank bottom: | 860 mm |
| Outlet nominal size (DN): | 100 mm |
| Inlet nominal size (DN): | 100 mm |
| Connection inlet/outlet sockets: | PE-HD pipes in accordance with DIN 19537, PVC-KG pipes in accordance with DIN 19534, PP or AS |
| Clear width of entry (LW): | 600 mm |

Coverage features

| | |
|------------------|---|
| Type of cover: | Cover plate |
| Cover material: | Grey iron |
| Colour of cover: | black |
| Load class: | B 125 (EN 124) |
| Tightness: | odour-tight and surface water resistant |

Wastewater contents

| | |
|-----------------------------------|-------|
| Separator contents: | 370 l |
| Contents of sludge trap: | 200 l |
| Storage quantity of grease: | 120 l |
| Storage quantity of light liquid: | 120 l |