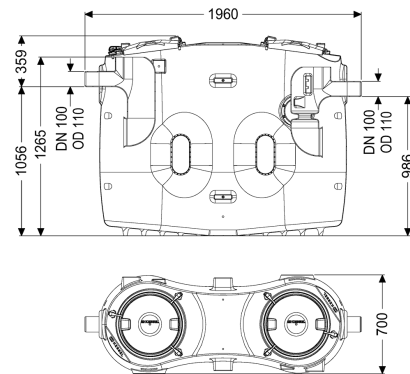


## Grease separator EasyClean free Basic, NS 4, Standard, universal



### Article information

Item no.: 94004.10  
 GTIN: 4026092084762  
 Price group: 60

### Advantages

- Low-maintenance operation

### Description

The separator for greasy wastewater is suitable for free-standing set-up in frost-protected rooms and comes without metallic components in the tank. The collecting tank made of permanently resistant polymer (PE) is equipped with an integrated sludge trap. Two odour-tight covers with quick-release closures allow for easy access for cleaning and maintenance work. Manual disposal is carried out with the tank open. 20 year polyethylene warranty.

#### Variant

Direction of flow:	universal
Disposal variant:	Standard
Sludge bucket:	no
Nominal size (NS):	4
Refill inlet in accordance with DIN 1988:	no
Type of disposal:	manual with suction hose
Sampling device:	no
Load-bearing capacity (DIN 19901):	F3

#### General characteristics

Material:	PE
Installation situation:	free-standing installation
Delivery state:	Installation-ready (connection parts must be connected on site)

#### Dimensions

Net weight:	95 kg
-------------	-------

Gross weight:	125 kg
Set-up area, length:	1960 mm
Set-up area, width:	700 mm
Set-up area, height:	1420 mm
Required access area, length:	1960 mm
Required access area, width:	700 mm
Required access area, height:	1420 mm
Packaging dimension:	length
Packaging dimension:	width
Packaging dimension:	height
Tank/drain body	
Nominal pressure (PN):	10
Pressure pipe connection (DN):	65
Pressure pipe connection (OD):	75 mm
Distance pipe bottom outlet to tank bottom:	985 mm
Distance pipe bottom inlet to tank bottom:	1055 mm
Outlet nominal size (OD):	110 mm
Outlet nominal size (DN):	100 mm
Inlet nominal size (OD):	110 mm
Inlet nominal size (DN):	100 mm
Connection inlet/outlet sockets:	PE-HD pipes in accordance with DIN 19537, HT pipes in accordance with DIN 19560, PP or AS
Coverage features	
Type of cover:	Cover
Cover material:	Polymer
Colour of cover:	violet
Locking:	Quick-release closure
Tightness:	odour-tight
Wastewater contents	
Max. grease layer thickness:	180 mm
Total volume:	820 l
Contents of sludge trap:	400 l
Storage quantity of grease:	160 l